

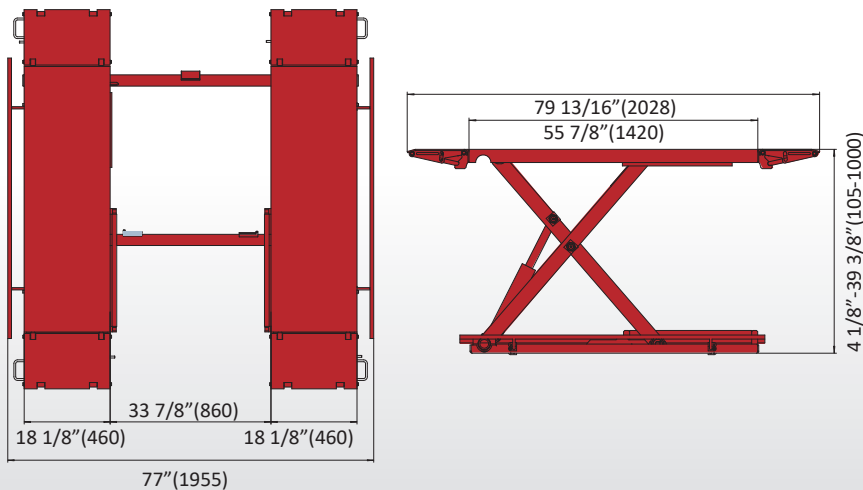
MID RISE SCISSOR LIFT

PRO-SERIES
Equipment
888-736-5094
www.ProSeriesEquipment.com

PSESL-7L

SPECIFICATIONS

Model	PSESL-7L
Lifting capacity	7000lbs
Max. lifting height	39 3/8"(1000mm)
Min. height	4 1/8"(105mm)
Lifting time	Approx. 30S
Air Supply	87-116psi
Motor	2.2kW
Platform width	18 1/8"(460mm)
Electricity supply	According To Customer Needs



Pro Series Equipment - Distributed By

DWI Power Systems - www.DWIProSeries.com
Home of Pro Series Equipment
130 Commerce Drive
Franklin, IN 46131
317-736-5094



MID RISE SCISSOR LIFT

Hydraulic and Mechanical Double Safety

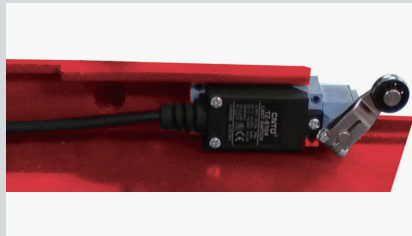
- ✓ Ideal for tire service and narrow bays.
- ✓ Mobile design.
- ✓ 3000kg lifting capacity.
- ✓ Electrical released safety locking system.
- ✓ Durable cylinders with anti-surge valves.
- ✓ 24V safe control system.
- ✓ Height limit switch.
- ✓ Powder coated finish.
- ✓ Self-lubricated bushing and bearing.
- ✓ Drive up ramps lock into position as platform extension for longer vehicles.
- ✓ Optional mobile kit makes the lift move in your garage very easily.
- ✓ Aluminum motor, no risks of overheating.



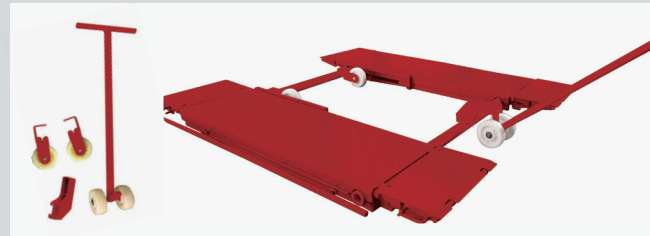
FEATURES



Low Position



Height Limit Switch



Mobile Kit (optional accessories)

HEAVY DUTY MOBILE COLUMN

5/3/2 WARRANTY POLICY

5 years for lift structure

3 years for hydraulic components

2 years for electrical parts