

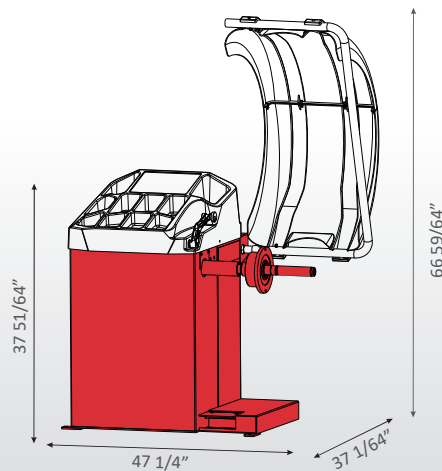
WHEEL BALANCER

PRO-SERIES
Equipment
888-736-5094
www.ProSeriesEquipment.com

WB680
WB800

SPECIFICATIONS

Model	WB680	WB800
Rim diameter	10"-24"	10"-24"
Rim width	1.5"-20"	1.5"-20"
Rotating speed	200R.P.M	200R.P.M
Balancing precision	1g	1g
Max.Wheel weight	143.3lbs	143.3lbs
Max.Wheel diameter	39 3/8"	39 3/8"
Noise level	<70db	<70db
Motor power	0.2kW	0.2kW
Power supply	110/220V,1PH	110/220V,1PH



WHEEL BALANCER

Manual Distance or Automatic Distance



Automatic distance
(WB800)

Manual distance
(WB680)

Pro Series Equipment - Distributed By

DWI Power Systems - www.DWIProSeries.com
Home of Pro Series Equipment
130 Commerce Drive
Franklin, IN 46131
317-736-5094



WHEEL BALANCER

Manual Distance or Automatic Distance

- ✓ Manual distance(WB680) or automatic distance(WB800), rim diameter and rim width measuring.
- ✓ DYN mode for standard rim, 8 ALU modes for alloy rims or special shaped rim, statistic mode for motorcycle rim.
- ✓ Pluggable position pick up board.
- ✓ Self diagnoses.
- ✓ CE certified by TUV.
- ✓ Automatic brake, find the unbalance position and lock the wheel (optional).
- ✓ Laser point to show the unbalance position clearly (optional).

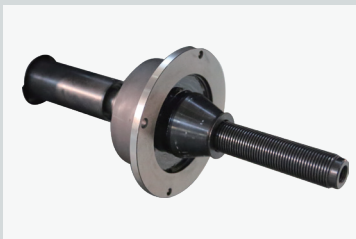


Automatic distance
(WB800)

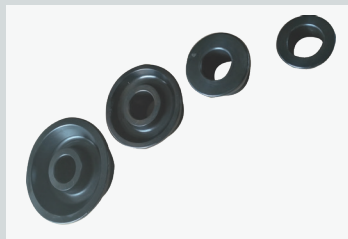


Manual distance
(WB680)

FEATURES



Spindle + Thread



Cone



Aluminium
Gauge Head



Wheel Hood



Centreless Wheel Adapter
(Optional)



Motorcycle Adapter
(Optional)



Automatic Width Measuring
(Optional)