

INSTALLATION MANUAL & OPERATION INSTRUCTIONS

2 POST LIFT * INSTALLATION Manual PSE ATC 10,000 BP

PSE ATC 10,000 BP (Symmetric Arms)
PSE ATC 10,000 BP-A (Asymmetric Arms)

Heavy-Duty DualSymmetric 2 Post Lift
10,000 LB. Capacity

Call Your Distributor Today!
EXTENDED WARRANTY
Protect Yourself For An Additional 12 Months
Contact Distributor For Details!
Warranties Go Away
Equipment Stays!



LIFT FEATURES:

- Commercial Grade
- Only 9'3" Tall
- Dual Point Lock Release
- Drop-In Lifting Adapters
- **5 YEAR WARRANTY**
- More Lifts Available!

Thank You For Your Purchase!

We reserve the right to make changes in specifications without notice and without making changes retroactive.

PRO-SERIES

Equipment

www.ProSeriesEquipment.com

P.O. Box 734
Franklin, Indiana 46131
1-800-708-2988

Email: Sales@ProSeriesEquipment.com

Model No.:	PSE CJ10BP(A)
Capacity:	10,000 lbs.
Serial No.:	
Installation Date:	
Distributor:	
Dist. Phone Number:	
Installer:	
Installer Phone Number:	



INSTALLATION & MAINTENANCE MANUAL FOR PSE TWO-POST “PSE CJ10BP-A” VEHICLE LIFT!

(10,000 POUND MAXIMUM CAPACITY)

(Catalog Number: PSE CJ10BP-A)

TABLE OF CONTENTS

READ THIS BEFORE INSTALLING THE LIFT	4
TOOLS FOR INSTALLATION	4
BOLT BOX CONTENTS.....	5
SPECIFICATIONS	6-7
INSTALLATION.....	8-11
POWER UNIT WIRING PROGRAM	12
HOSE ROUTING & POWER UNIT.....	13
MANUAL RELEASE HANDLE POWER UNIT	14
ADJUSTMENTS	15-17
MAINTENANCE & SAFETY	18-22
TROUBLESHOOTING.....	23
NOTES.....	24
LIMITED LIFT WARRANTY	25
DISTRIBUTOR INVITATION LETTER	26
WARRANTY ACTIVATION FORM.....	27



**READ THIS MANUAL
COMPLETELY BEFORE
INSTALLING LIFT!!!**

DISTRIBUTED BY:

PRO SERIES EQUIPMENT

1-800-708-2988

Web: www.ProSeriesEquipment.com

E-mail: Sales@ProSeriesEquipment.com

READ THIS BEFORE INSTALLING THE LIFT!

Improper installation can cause injury or damage!

1. **Read this installation and operation manual in its entirety before attempting to install the lift.** Manufacturer or Distributor assumes no responsibility for loss or damage of any kind, expressed or implied, resulting from improper installation or use of this Lift. Always use professional installation companies.
2. All persons using this equipment must be responsible, qualified, and carefully follow the operation and safety guidelines contained in this manual.
3. A level floor is required for proper Lift installation and operation.
4. **DO NOT** install this Lift on any asphalt surface. Only on concrete surface a minimum of 4" thick and 3,500 psi tensile strength with steel or fiber mesh reinforcement.
5. **DO NOT** install this Lift over concrete expansion joints or cracks. (Check with your building architect.)
6. **DO NOT** install this Lift on an upper floor without written authorization from your building architect. Should only be installed on basement floor.
7. **DO NOT** attempt to lift only part of a vehicle. This Lift is intended to raise the entire body of a vehicle only. This will bend the Arms and void the warranty.
8. **NEVER** lift any persons or vehicles containing persons. This Lift is designed to lift empty vehicles only.

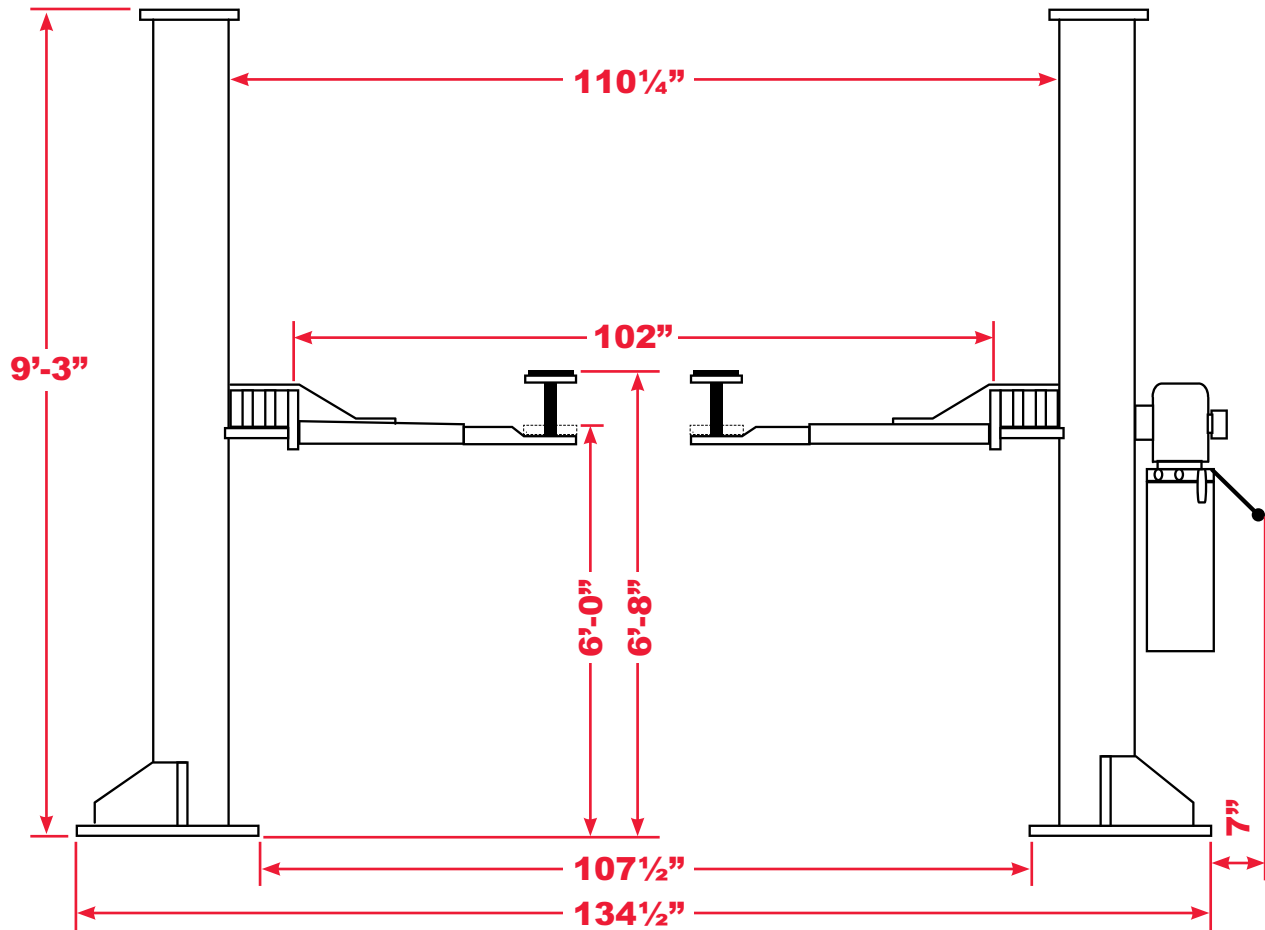
TOOLS FOR INSTALLATION

Concrete Rotary Hammer Drill with 3/4 inch Carbide Bit
Rubber Hammer
Chalk line
Sockets and Open End Wrenches
Ratchet Driver
Vice Grips
Measuring Tape
Screwdrivers
Torque Wrench
Step Ladder
4 Foot Bubble Level
12 Inch Crescent Wrench
AW32 Non-Foaming Hydraulic Fluid (4 gallons)

BOLT BOX CONTENTS

QTY	PART DESCRIPTIONS
2	Columns
2	Pulley Top Plates Attached
2	Cylinders With Fittings
1	Power Unit
4	Screw Up Arm Pads
1	Steel Floor Plate
2	28' 6" Cables End To End
4	Arms
1	65 1/2" Hose 3/8 With 2, 06U-606 & 06U-606 FJIC Fittings (For The Pump To The Cylinder Fitting Outside Of The Column On The Power Unit Side).
1	113' 1/2" Hose 3/8 With 2, 06U-686 & 06U-686 FJIC 45 Degree Fittings That Connect To The 2 Hydraulic Cylinder Fittings Under The Floor Plate.
1	4" 3/8 Male Pipe Thread (Already Attached To Cylinder Power Unit Side Outside Of The Column At The Floor).
1	C5455 x 6 x 6 MJIC x 3/8 Female Pipe 90 Degree Fitting (Already Attached To The Cylinder On The Power Unit Side Outside Of The Column At The Floor).
2	C5355 x 6 x 6, 45 Degree Fittings Already In The Cylinders For Under The Floor Plate Hydraulic Hose Connection From 1 Cylinder To The Other Cylinder.
10	3/4 Anchors, Flat Washers & Nuts.
4	5/16" Hydraulic Power Unit Bolts, With 2 Flat Washers, 1 Lock Washer & 1 Nut
1	90 Degree Hydraulic Power Unit Fitting With O Ring C5515 x 6 x 6 For Main Hydraulic Pressure Hose from Power Unit Down To The Fitting On The Cylinder On The Outside Of The Column At The Floor.
1	Straight O Ring Fitting (Is Extra, Sometimes Not Needed).
4	Socket Head Cap Screws & Flat Washers For Securing The Steel Plate Over the Cables & Hydraulic Hose On The Floor 1/2 x 3/4 Long.
1	Column Hydraulic Hose Clamp & Screw.
4	1/2" Bolts x 1 1/2 Long With, 2 Flat Washers, 1 Lock Washer & 1 Nut (Note These Bolts Are To Secure The Top Pulley Plate To The Column Top In The 2 Open Holes That Don't Have Bolts In The Holes On Both Columns.

PSE CJ10BP Side View - Symmetric or Assymmetric



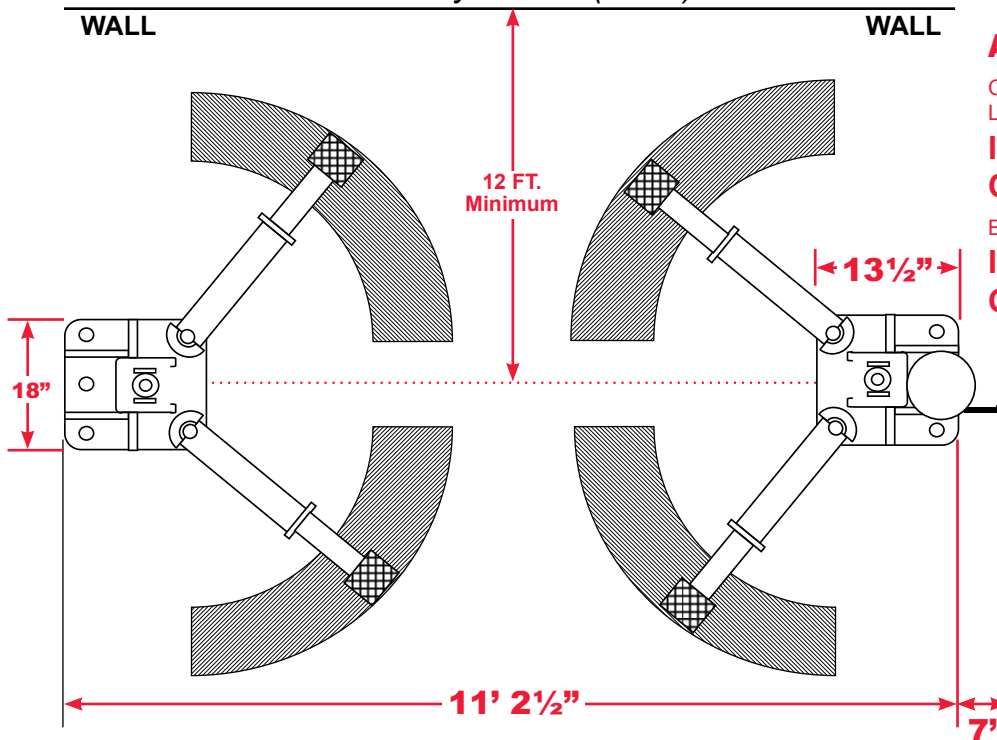
See next page for overhead view and more specifications.

All measurements are approximate • Drawings are not to scale • Overall lift height is 9' 3" tall

PSE CJ10BP(A) Specifications

2 Post Lift: PSE CJ10BP(A)
INSTALLATION manual

PSE CJ10BP Symmetric (50/50)



Arm Dimensions:

Center of Pin to Center of Lifting Pad Measurements:

IN: 32"

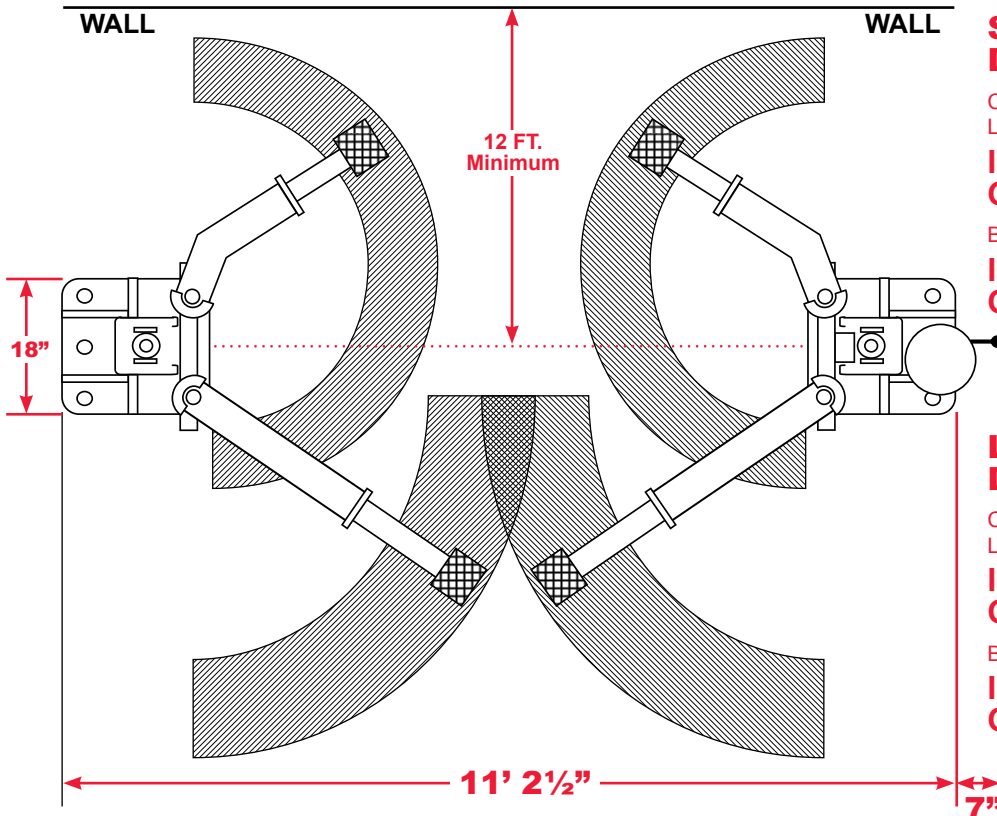
OUT: 45"

Back of Arm to Front of Arm:

IN: 36 1/4"

OUT: 49 1/2"

PSE CJ10BP-A Asymmetric (30/70)



Short Arm Dimensions:

Center of Pin to Center of Lifting Pad Measurements:

IN: 29 1/2"

OUT: 40 1/4"

Back of Arm to Front of Arm:

IN: 33"

OUT: 44 1/2"

Long Arm Dimensions:

Center of Pin to Center of Lifting Pad Measurements:

IN: 39"

OUT: 57 1/2"

Back of Arm to Front of Arm:

IN: 44"

OUT: 62"

All measurements are approximate • Drawings are not to scale • Overall lift height is 9' 3" tall

INSTALLATION & OPERATION MANUAL

Your Lift is designed for many years of trouble-free service when properly installed & maintained. Please take the time to read this Installation Manual before proceeding.

INSTALLATION TIPS

This Lift is built from very heavy metal parts. Use proper lifting techniques when lifting individual pieces. Use plenty of help when moving Lift pieces. It is a good idea to wear work gloves to protect your hands.

This Lift is designed to be installed on a minimum of 4" thick, 3500 psi, wire or fiberglass reinforced concrete. Do not install this Lift on asphalt, wood, or any other surface other than described. A level surface is recommended.

Do not install this Lift over expansion joints or cracks. Check with qualified engineer or architect. Do not install Lift over a basement or on any level other than ground level (i.e. second floor) without written authorization from a building engineer or architect.

Improper installation can cause damage or injury. Manufacturer will assume no liability for loss or damage of any kind, expressed or implied, resulting from improper installation or use of this product. Read this installation manual in its entirety before attempting to install this Lift.

LIFT STRUCTURE INSTALLATION

Determine where the Lift is to be installed. Make sure there is enough room in front, behind, above and on the sides of the Lift. See (FIGURE 1) for proper dimensions.

Layout with a chalk line your concrete floor to the proper layout you want and check for proper clearances.

Remove any loose Cables, Hoses, Part Boxes, Hydraulic Power Unit, etc. if they are inside the Columns or banded to the Columns.

Remove the Power Unit Box, four Swing Arms from the Lift. Next remove the Bolts holding the two Columns together. Remove the top Column from the bottom Column out of the shipping crate and discard the steel.

Stand up the Power Unit Column (the one with the Power Unit Bracket welded on it) and position it inside the chalked lines to your chalked out dimensions. It is recommended that this Column be placed on the passenger side of the car, but it can go on the driver's side if desired. Keep in mind this is the Column where your main electrical power supply will be connected. The Column should face straight toward the other Column.

Stand up the other Column just opposite of the Main Power Unit Column inside the chalk lines as shown in (FIGURE 1).

Place the Floor Pan between the Columns and align the mounting holes with the inside base plate holes. This will determine proper Column spacing from side to side. **(Continued Next Page)**

Using a tape measure, measure from back corner to back corner of the Base Plates to assure Columns are square to each other. Adjust as necessary to obtain best fit and still provide good passage and that the Base Plate Column will still allow the Bolts to tighten down on the Plate.

After you have installed the Bolts for the Floor Pan, now drill the remaining holes and place Anchors as you go. Do not tighten Anchor Bolts at this time. Hammer drill all the way through the cement floor.

Recheck the level of each Column and place Shims around each Anchor and wherever they're needed. If ½ inch or more of Shim is required, either refinish concrete or use steel plates and extra long Anchor Bolts (FOR EXTRA PLATES OR LONGER ANCHORS CALL YOUR LIFT DISTRIBUTOR). Tighten 10 ¾" X 5 ½" Anchor Bolts and recheck for level and plum. Hammer the Anchor Bolts all the way down.

Tighten Anchor Bolts using a torque wrench to 125 ft. / lbs. (DO NOT use an impact gun when tightening the Anchor Bolts!) NOTE: 4" - 6" of embedment is the minimum requirement for reinforced concrete.

Now remove the Steel Floor Pan Cover.

Manually lift both carriages on each Column about waist high. Let carriages down allowing them to set on the Lift Safety Lock Stops. Make sure they are at the same height and on the Safety Lock Stops.

Check to insure the Cylinders are properly seated into the cylinder hole in the Base Plate. If they are, the round part of the Cylinder will be sitting down on the Steel Flat.

If the Equalizer Cables are not attached to the Lift Carriages do the following:

Take the 3/8" X 28' 6" Equalizer Cables and place a ¾" SAE Flat Washer over the threads and onto the Cable. Using vise grips and a socket, tighten the Cable Nut half way down the threads.

Standing in front of the Power Unit Main-Side Carriage notice the 4 holes in the top of the Carriage. See (FIGURE 2 CABLE ROUTING).

Take the threaded end (end without nut) and run it up inside the Carriage through the front hole on the right side of the Carriage. See (FIGURE 2 FOR CABLE ROUTING).

CABLE ROUTING DIAGRAM

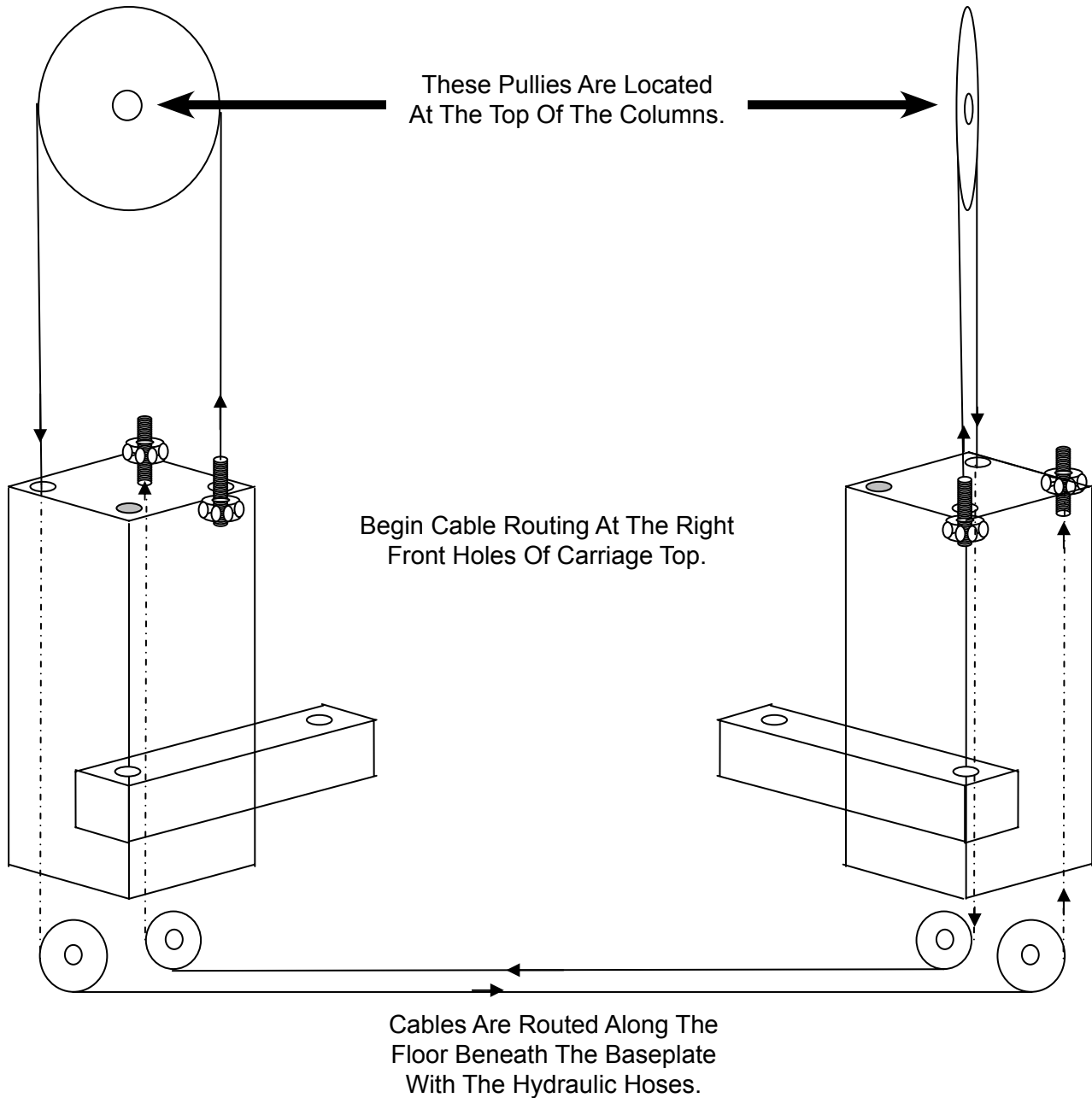


FIGURE 2

CONNECTING POWER UNIT & HYDRAULIC HOSES

Using the four 5/16" X 1" Bolts mount the Power Unit to the Main Side Column. Install the TEE Fitting with o-ring end going into the Power Unit in the hole that is stamped "P" (For Pressure).

Connect the 3/8" x 65 1/2" SHORT Hydraulic Hose to the 90-degree fitting. Run the hose down the side of the Column and connect the end to the 90-degree elbow at the bottom of Column. Do not over tighten, as you will crack the Fitting.

Connect the 3/8" x 113 1/2" LONG Hydraulic Hose between the Cylinders and let it lay on the ground. **Do not over tighten.**

See (FIGURE 4) for Hose layout and routing to the Power Unit.

INSTALLING SWING ARMS

Locate the 4 Swing Arms and Swing Arm Pins. The Pins are in the misc. parts box. Take one of the Arms and insert it over the hole in the Carriage Torsion Tube. Line up the holes and insert the Pin. Repeat for the three other Arms. Should you have an Asymmetrical Lift the Short Arm goes closest to the front of the vehicle as you're pulling into the Lift.

ELECTRICAL CONNECTION

IT IS BEST TO HAVE A QUALIFIED ELECTRICIAN HOOK THE MAIN ELECTRICAL POWER CONNECTION TO THE POWER UNIT ON THE LIFT. FOLLOW LOCAL CODES IN YOUR AREA.

The electricity is to be hooked up at the Power Unit. There are 2 wires inside the electrical box on the Motor. Make a connection with the 2 loose wires inside the Motor Box with 2 wires from your main power supply to the Lift. The power supply to the Lift should be 220 Volt with a 30 amp breaker. Attach the ground wire to the back of the box with the screw if it is not connected. This is a 220-volt Power Unit. Green is usually the ground wire.

See (FIGURE 3) for electrical connections.

NOTE: Power Unit Wiring (Choose One)

1. If You Have The Power Unit With The Clear Tank Use Wiring Diagram 1.
2. If You Have The Power Unit With The Black Tank Use Wiring Diagram 2.

Note: Power Unit Wiring (Choose One):

1. If you have an SPX or Monarch power unit (Clear Tanks), use wiring diagram 1.
2. If you have an Applied power unit (Black Tank), use wiring diagram 2.

POWER UNIT MOTOR:

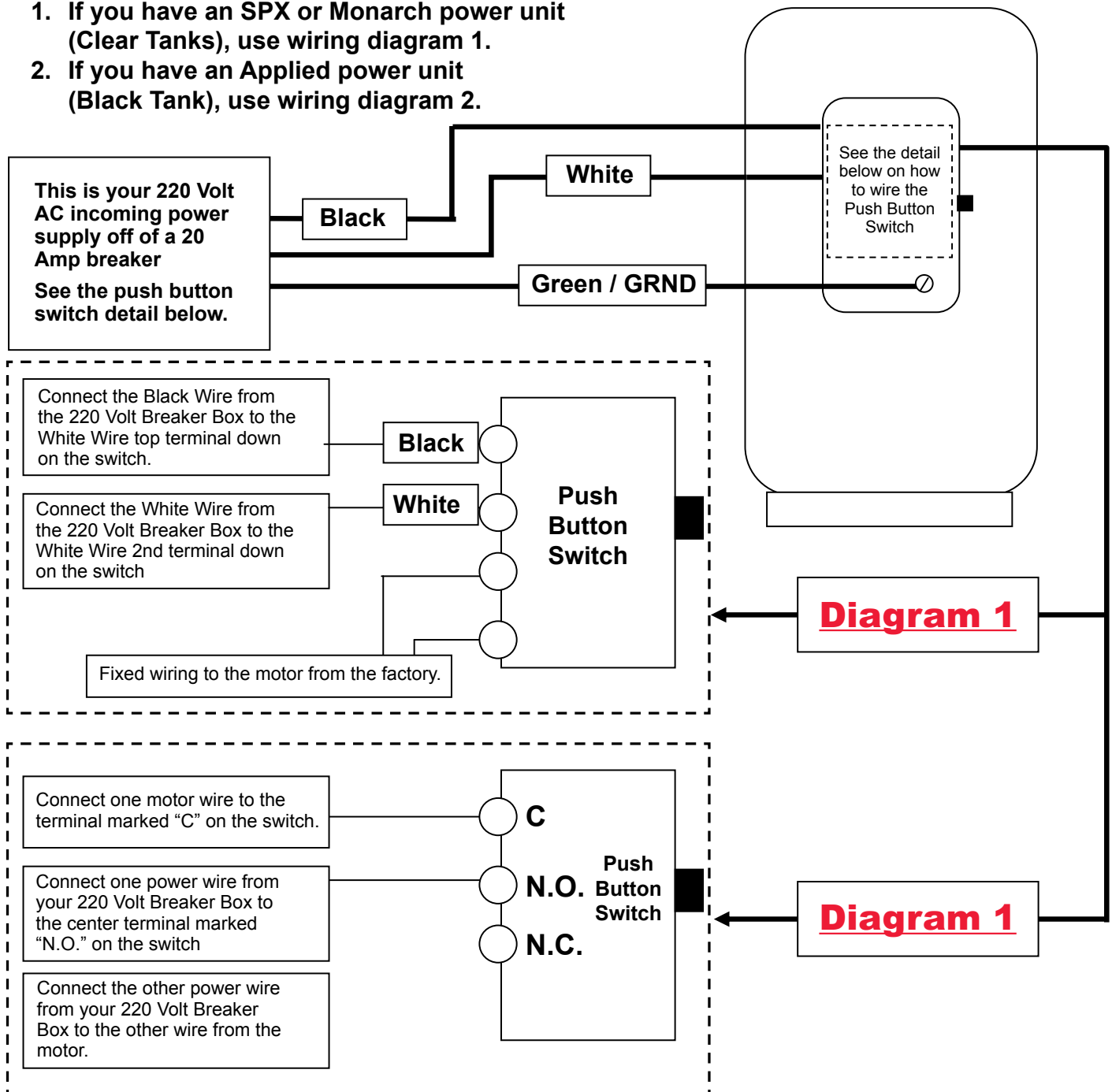
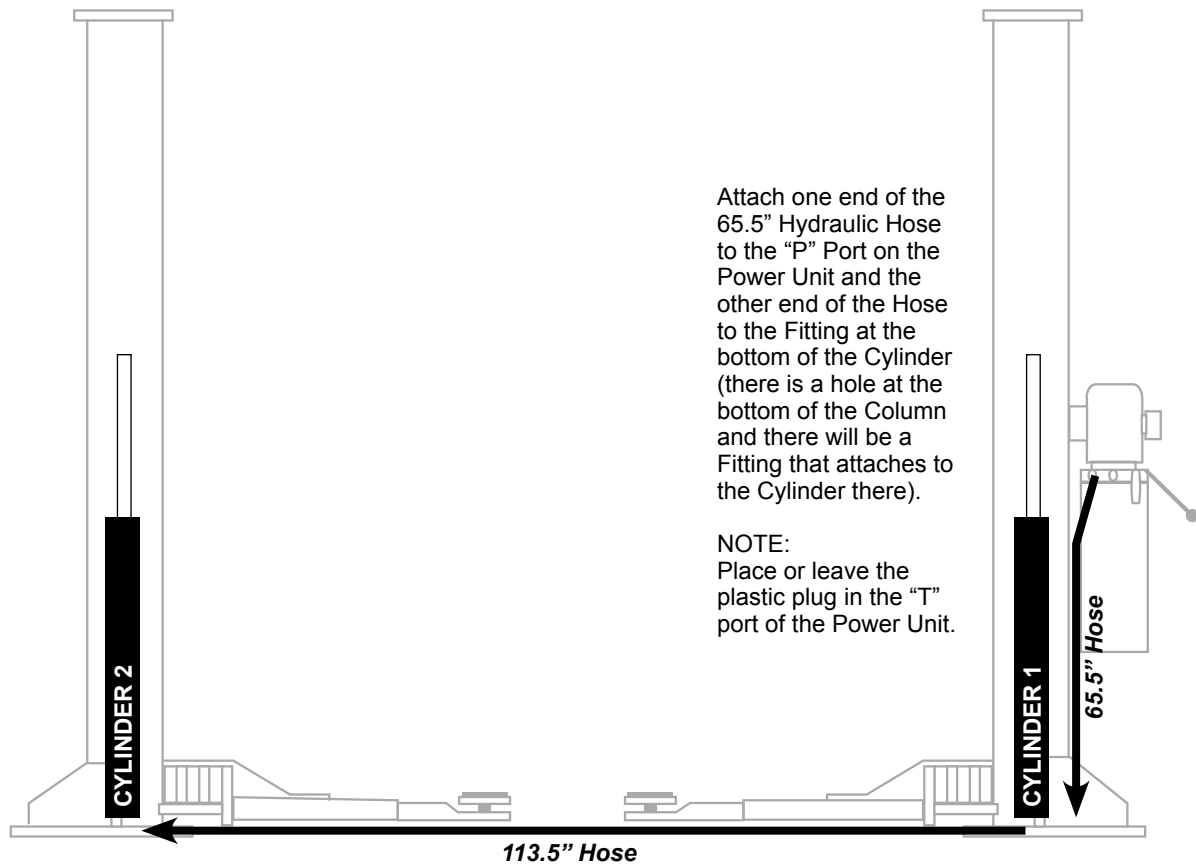


FIGURE 3



Run the 113.5" Hose underneath the Steel Base Plate as illustrated here and attach it to the Hydraulic Fittings at each Cylinder.

FIGURE 4

SPX



Monarch



Ground Wire



DO YOU HAVE THIS STYLE HYDRAULIC POWER UNIT?

IF SO, SEE NOTES BELOW!

(INSTALLATION OF THE ELECTRICAL TO THE POWER UNIT IS TO BE DONE ONLY BY A CERTIFIED ELECTRICIAN. BEFORE THE POWER UNIT IS INSTALLED, HAVE THE ELECTRICIAN WIRE A QUICK DISCONNECT BETWEEN THE MAIN POWER BREAKER BOX AND THE CONTROL BOX, THEN HAVE THIS QUICK DISCONNECT MOUNTED TO THE SIDE OF THE COLUMN NEXT TO THE POWER UNIT.)

Remove the junction box cover on the Motor. Run your electrical power wires from the Main Breaker Box with a 220 Volt Single Phase on a Dedicated 20 Amp Breaker.

Remove the knock out hole on the side/top (depending on the type of Power unit) of the Junction Box on the Motor. Line the hole with a Strain Relief. Now run your main power wires through the knock out hole on the side/top of the Motor Junction Box to make the electrical connection to the switch wires inside the box.

SEE PAGE 12 FOR WIRING TO SWITCH.

Attach the Green Wire to the Ground Screw on the Motor in the back of the Motor Junction Box.

Put the Junction Box Cover back on after the wiring is complete.

HYDRAULIC FLUID

In some cases remove the Red or Black Hex Head Plug from the Tank at the top where you are going to fill the Tank with fluid. Remove the black vent cap from the bottom of the Tank as this is just screwed into a blind hole. It will not leak out any oil that you may put in the Tank. Now, screw the Red or Black Plug into the bottom of the Tank where you just removed the black vent cap. Put the Vented Plug in the top after filling with oil. Place a funnel into fill hole and fill the Tank with one of the following fluids as below. When the oil is about 1 inch from the bottom of the hole that is your full mark. Refill the Tank after running the Lift up and down a few times to bleed out the air from the Cylinders and Hoses. There is no bleeding procedure except for running the Lift up and down 3 times. Do not fill the Tank with the Lift up as you will overfill the Tank and it will discharge out when you lower the Lift. Only top off Tank with Lift Carriages on the floor

When filling the Hydraulic Tank use the following fluids.

- AW 32 Hydraulic Oil
- Dexron III Automatic Transmission Fluid

This Tank will hold approximately 16 quarts or 4 gallons when filled 1 inch below the Vent Plug.

ADJUSTING CABLES

Place a pair of small or medium vise grips around the shoulder of the long threaded Adjusting Bolt on the Cable to make any adjustments.

Use a deep socket to adjust the slack out of the Cable. Adjust tension to Cables equally.

Do not over tighten. Note: If one of the Cables is tighter than the other, the Carriage will go up uneven. These should be tightened like a Banjo String or Fan Belt.

ADJUSTING & SYNCHRONIZING THE CARRIAGES

One of the most important things to remember is not to tighten down one side more than the other. The key is to tighten one side a half dozen turns then the opposite side a half dozen turns. After getting both Cables equally tight (**YOU SHOULD BE ABLE TO MOVE THE CABLES ABOUT AN INCH BACK AND FORTH WITH SLIGHT PRESSURE LIKE A FAN BELT OR A BANJO STRING**) raise the Lift all the way up by pressing the Up Button on the Power Unit. Do not bottom the Lift out at the top by holding down on the Switch.

Raise the Lift off the Locks by pushing the Power Button, this will enable you to pull each Release Cable Ring located at the bottom of both Carriages. See (FIGURE 5). Pull down on the Lowering Valve Handle on the Power Unit and lower the Lift all the way to the floor. Raise the Lift again and listen for the clicking of the Safety Locks in each Column. Determine which side is slower and tighten the Adjusting Bolt on the opposite side Carriage. Remember to only tighten a few turns at a time until the Locks click at the same time when raising the Lift. Cycle the Lift up and down and listen to the Safety Latches clicking and make the proper adjustment. Adjust until the Carriages are with-in a ¼" of each other or the clicks are almost at the same time with each side. When Cables are adjusted properly they should be fairly tight.

DUAL POINT LOCK RELEASE

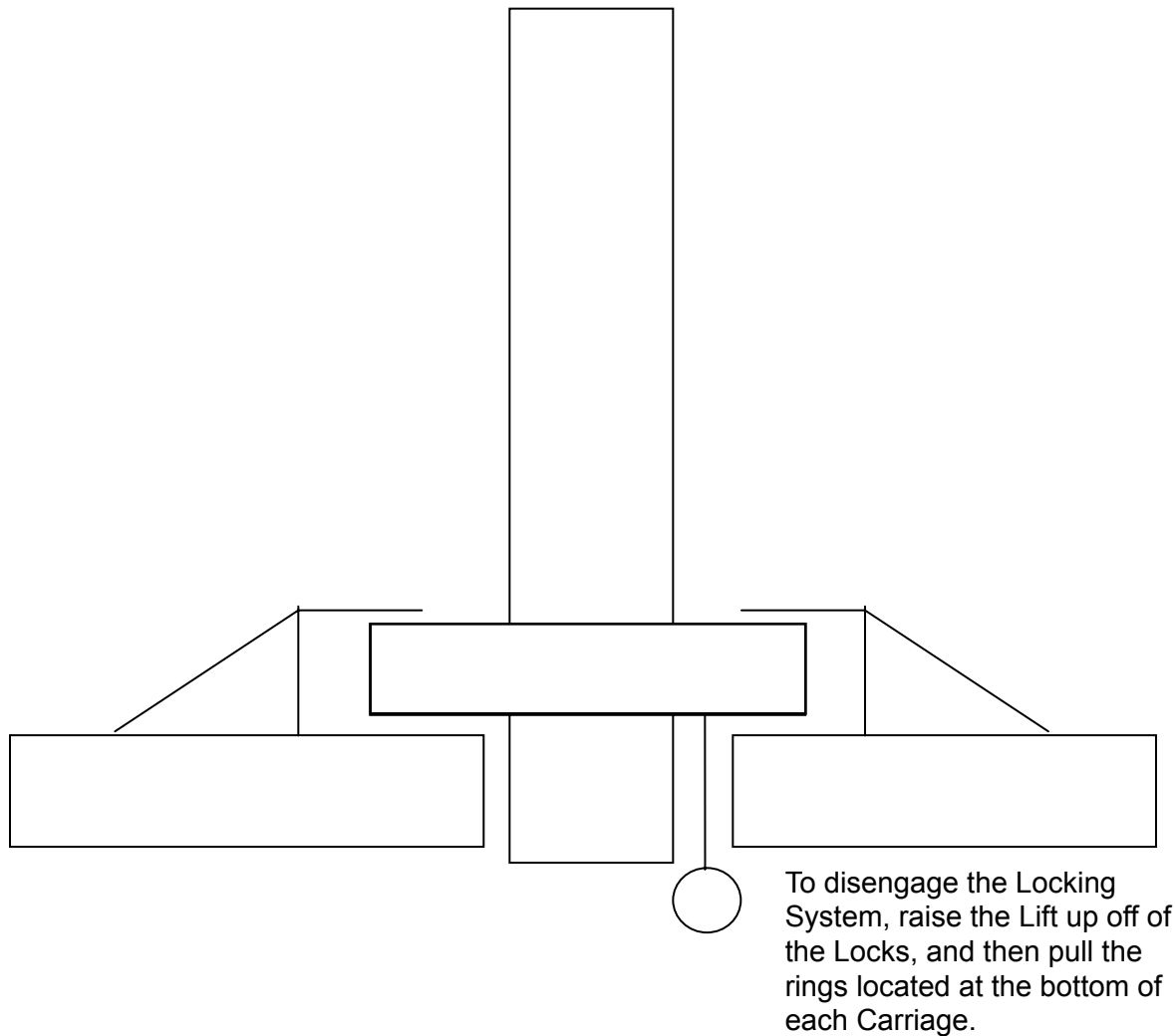


FIGURE 5

FINAL ASSEMBLY

Check all Bolts and Nuts to make sure they are tight. Do not use an impact gun on concrete Anchors. Check all Fittings for leaks. If necessary make sure the Arm Lock Restraints are engaging properly and smoothly. If not, tap the Main Lock forward or backward as needed with a rubber mallet to insure proper engagement on all 4 gears with the Arm Restraint Locks.

Cycle Lift up and down to insure Carriages are synchronized.

Place a vehicle on the Lift and raise until Swivel Pads are in contact with the frame of the vehicle. Raise the vehicle up about 3 feet and lower until the tires touch the floor. Keep raising and lowering the vehicle increasing the height each time until the vehicle is completely to the top. This procedure pumps all the air from the system. Now the Lift is ready for use.

OPERATION

1. Center vehicle left and right between the Columns.
2. Position the Swivel Pads under frame of vehicle at the proper lifting points.
3. Push the up button and raise the Lift until the Swivel Pads make contact with lifting points.
4. Check all Swivel Pads to make certain all Adapters are making full and proper contact.
5. Raise vehicle approximately 2 feet and check the stability by rocking the vehicle from the bumper.
6. Raise vehicle to the desired height and lower on to the Locking Device. Never leave the vehicle suspended off the Locks.
7. To lower, raise the Lift off the Locks by 2" then pull the Lock Release Cable Ring on each Carriage downward releasing the Lock Release and lower slowly.
8. After lowering, rotate the Swing Arms back out of the way.

Manual Push Button (UP)

Manual Release Handle (DOWN)

1. **UP Button** - Used to raise the Lift
**NOTE: This button must also be used to raise the Lift up off of the Safety Locks before the Lift can be lowered.*
2. **DOWN Handle / Lever** - Use this Manual Release Handle to lower the Lift. This Lever is also used to lower the Lift onto the Safety Locking system. **NOTE: To lower the Lift, you must first raise the Lift up off of the Safety Locks & Disengaged the Locks using the Single Point Lock Release Handle before the lift can be lowered.*



NOTE: The PSE CJ10BP comes with a "MRH" (Manual Release Handle) Power Unit, this unit serves as both the Power Unit and Control Box for your Lift.

MAINTENANCE

Lubrication:

Lubricate all Nylon Wear Block Corners inside each Column with heavy duty bearing grease once every six months. Lubricate Chains every six months.

Anchor Bolts:

During first week of use, check Anchors daily. Do not use an impact wrench. After first week, check once a month for the first six months. Tighten as necessary.

Concrete:

Check concrete for stress cracks daily for the first two weeks of use as a precaution. Thereafter, check monthly. Check all Bolts and Nuts every six months.

Hydraulic Oil:

If your Lift will raise all the way to the top of the Hydraulic Tank is full of hydraulic oil. The hydraulic oil should be changed once a year, along with cleaning the Suction Filter.

SAFETY LATCH ADJUSTMENT

Do not make any adjustments on the Lift or the Cables.

If the Safety Latch in either Column does not operate, use the following procedure to adjust it.

Raise the Lift until you can see the Latch through the access hole in side of the Column by removing the 2 Screws and the Cover.

Do not set Lift on Safety Latch for this adjustment. Allow the Hydraulic Aystem to hold the Lift up during this adjustment. Do not have a vehicle on the Lift during this time.

Pull the Latch forward with a screwdriver.

If the latch, is not working during ascent, tighten the adjustment bolt one full turn and test the latch and follow this procedure until the latch operates.

If the Latch, is not working during descent, loosen the Adjustment Bolt one full turn and test the Latch and follow this procedure until the Latch operates.

Latch and or Cable adjustments are normal maintenance and are not warranty items.

AUTOMOTIVE LIFT SAFETY TIPS

POST THESE SAFETY TIPS WHERE THEY WILL BE A CONSTANT REMINDER TO YOUR LIFT OPERATOR. FOR INFORMATION SPECIFIC TO THE LIFT, ALWAYS REFER TO THE LIFT MANUFACTURER'S MANUAL, YOUR DEALER, OR INSTALLER.

- Inspect your Lift daily. Never operate the Lift if it malfunctions or if it has broken or damaged parts. Repairs should be made with original equipment parts.
- Operating Controls & Safeties are designed to close when released. Do not block them open or override them at any time.
- Never overload your Lift. Manufacturer's rated capacity is shown on the serial # tag affixed to the Lift above the Power Unit.
- Only trained and authorized personnel should do positioning of vehicle(s) and operation of the Lifts.
- Never raise vehicle with anyone inside it. Customer or by-standers should not be in the lift area during operation.
- Always keep lift area free of obstructions, grease, oil, trash and other debris.
- Before driving vehicle over Lift, position Arms and Supports to provide unobstructed clearance. Do not hit or run over Lift Arms, Adapter, or Axle Supports. This could damage Lift or vehicle.
- Load the vehicle on the Lift carefully. Position the Lift Supports to contact at the vehicle manufacturers recommended lifting points. Raise the Lift until Supports contact the vehicle.
- Check supports for secure contact with the vehicle. Raise the Lift to desired working height.
- **CAUTION: If you are working under vehicle, the Lift should be raised high enough for the Locking Device to be engaged. Always set the Lift down on the Safety Locks while your using the Lift.**
- Note that with some vehicles, the removal (or installation) of components may cause a critical shift in the center of gravity and result in raised vehicle stability. Refer to the vehicle manufacturer's service manual for recommended procedures when vehicle components are removed.
- Before lowering Lift, be sure tool trays, stands, jacks, etc. are removed from under vehicle. Raise the vehicle off the Locking Devices before attempting to lower the Lift and pull.
- The Safety Lock Rings under each Carriage.
- Before removing vehicle from Lift area, position Lift Arms and Supports to provide a safe unobstructed exit.

NOTE: IT IS THE CUSTOMER'S OR THE END USER'S RESPONSIBILITY TO MAINTAIN THE PROPER TENSION ON THE EQUALIZER CABLES. ASKING A QUALIFIED LIFT TECHNICIAN TO RETURN IN THE FUTURE TO MAINTAIN THE CABLE ADJUSTMENTS AFTER THE LIFT IS INSTALLED WOULD NOT BE A WARRANTY FOR THE ADJUSTMENTS.

IF AT ANY TIME YOU'RE NOT SURE OF THE SAFE OPERATION OF THE LIFT, DISCONTINUE USING IT AND CALL YOUR DISTRIBUTOR FOR ASSISTANCE.

TESTING AND ADJUSTING LIFT

With the power properly hooked up and hydraulic oil in the Pump Reservoir, push the Push Button on the side of the Motor to raise the Carriages off the Locks. Release the Push Button and then pull the Lock Release Cable under each Carriage to release the Locks. Run the Lift all the way up and down two more times to bleed all the air from the system.

While running the Lift, listen to the Safeties clicking. Each side should click simultaneously or within a ½ second of each other. If they are not clicking together, then adjust the Cables to compensate by tightening the side opposite the one that is clicking last at the Cable Bolt at the top of the Carriage on the same side.

Remember not to over tighten Cables---they should be firm, much like a banjo string or a fan belt in a car.

GENERAL SAFETY INSTRUCTIONS

- ALWAYS make sure the Lift is on the Locks before going under the vehicle and that they work correctly.
- NEVER allow anyone to go under the Lift when raising or lowering.
- Care must be taken as burns can occur from touching hot parts.
- Do not operate equipment with a damaged cord or if the equipment has been dropped or damaged until a PSE Authorized Service Person has examined it.
- To reduce the risk of fire, do not operate equipment in the vicinity of open containers of flammable liquids.
- Adequate ventilation should be provided when working on internal combustion engines.
- Keep hair, loose clothing, fingers, and all parts of the body away from moving parts.
- To reduce the risk of electrical shock, do not use on wet surfaces or expose to rain.
- Use only as described in this manual.
- Use only manufacturer's recommended parts.
- ALWAYS WEAR SAFETY GLASSES.
- NEVER allow unauthorized personnel to operate Lift.
- ALWAYS know the gross weight of vehicle.
- NEVER EXCEED CAPACITY OF LIFT. (10,000 LBS)
- NEVER use the Lift to raise one end or one side of vehicle.
- ALWAYS keep unqualified people away from area while loading, unloading, raising, or lowering the Lift.
- NEVER allow anyone to ride in the vehicle while raising, or lowering the Lift.
- ALWAYS keep the area clean and free of water grease, and oil,
- ALWAYS remove wheel chocks, tools, hoses, etc. before loading, unloading, raising, or lowering the Lift.

LIFT OPERATING INSTRUCTIONS

Swing the Front Arms to the front and the Rear Arms to the rear. Once arms are in position, pull a car into the bay. A general rule of thumb is to stop the car with the center of the wheelbase even with the center of the Columns. Swing the four Arms under the vehicle and position the Pads under the appropriate lifting points. (If you are not sure of the proper lifting points, you should check the vehicle's service manual or contact the vehicle manufacturer).

Adjust the Screw Pads so they all hit their lifting points at the same time. This will allow the car to be level when rising. With the Pads in their proper locations and no obstructions around the Lift or vehicle, you may now press the Green Button on the Power Unit to raise the vehicle.

Raise the vehicle so that the tires are 6 inches off the ground. Walk to the back of the vehicle and push up and down on the bumper. The vehicle will rock, but should not at any time lose contact with the Swivel Pads. If the vehicle is bouncing off the Pads or feels at all unstable, you should lower it back to the ground and reposition the Arms & Pads to balance the load. Repeat this process until the vehicle is completely stable. When the vehicle is stable, you may raise the Lift all the way to the top. Listen to Safeties clicking and adjust if necessary.

THE PROPER OPERATION OF THE LIFT REQUIRES THAT ANY TIME YOU RAISE A VEHICLE TO WORK ON IT, YOU MUST LOWER THE LIFT ONTO THE SAFETY LOCKS. This is done by raising the vehicle to the desired height and lowering the Lift by pressing the Red Lowering Button until the Arms stop on the next available Lock.

To lower the vehicle, you must first raise the Lift off of the Locks using the Green Button. Then engage and hold the Lowering Handle until the Lift is on the ground.

NEVER WORK UNDER OR NEAR THIS LIFT WITHOUT THE LOCKS BEING ENGAGED. THE POWER UNIT IS NOT DESIGNED TO BE A LOAD-HOLDING DEVICE. NOT USING THE LOCKS WILL RESULT IN A PREMATURE FAILURE OF THE CYLINDERS, PUMP AND/OR CABLES AND CAN CAUSE SERIOUS PROPERTY DAMAGE OR PERSONAL INJURY! FAILURE TO HEED THIS WARNING WILL RESULT IN IMMEDIATE TERMINATION OF YOUR WARRANTY.

MAINTENANCE SCHEDULE

The following periodic maintenance is the suggested minimum requirements and minimum intervals; accumulated hours or monthly period, whichever ever comes sooner. If you hear a noise or see any indication of possible failure - cease operation immediately and inspect, correct and/or replace parts as required. Following these maintenance procedures is the key to prolonging the useful life of your Lift.

IF AT ANY TIME YOU'RE NOT SURE OF THE SAFE OPERATION OF THE LIFT, DISCONTINUE USING IT AND CALL YOUR DISTRIBUTOR FOR ASSISTANCE.

WARNING: OSHA AND ANSI REQUIRE USERS TO INSPECT LIFTING EQUIPMENT AT THE START OF EVERY SHIFT. THESE AND OTHER PERIODIC INSPECTIONS ARE THE RESPONSIBILITY OF THE USER.

DAILY PRE-OPERATION CHECK

- Daily check of all Safety Locks & Arm Restraints - the discovery of device failure could save you from expensive property damage, lost production time, serious personal injury and even death.
- Check Safety Locks for free movement and full engagement with Lift, make sure the Arm Restraint Gears mesh together completely and are working 100% each and every time the Lift is used. If not, do not use the Lift.
- Check Hydraulic Connections, and Hoses for leakage.
- Ensure Snap Rings at all Rollers, Sheaves and on all Screw-up Pads & optional Truck Adapters are correct and safe.
- Check All Bolts, Nuts, and Screws and tighten.
- Check Wiring & Switches for damage and that they all work correctly.
- Keep Floor Plate free of dirt, grease or any other corrosive substances.
- Check for any stress cracks in the concrete floor near the Anchor Bolts which, if present, could cause the Anchor Bolts to loosen and pull out of the floor. Do not use the Lift if this is apparent.
- Check daily Anchor Bolts torque to 125 ft-lbs. Do NOT tighten using impact gun. NEVER use the Lift with loose Anchor Bolts! All Anchor Bolts should be the correct torque specifications.
- Check Equalization Cables: The Cables keep both sides of the Lift equal, allowing the Safety Locks to catch together. If one side of your Lift is running ahead of the other, it is most likely time to adjust your Cables.
- All of the Pulleys / Sheaves on your Lift should be sprayed with a light oil, such as WD-40 or similar lubricant, two to three times a year.

WEEKLY MAINTENANCE

- Check anchor bolt torque daily to 125ft. lbs.
- Check floor for stress cracks near anchor bolts
- Check hydraulic oil level.
- Check and tighten all bolts, nuts, and all screws.
- Check all Cables are on all the proper Pulleys at all times.
- Grease the inside of the Columns, where the Carriages run up and down.

YEARLY MAINTENANCE

- All of the Pulleys / Sheaves on your Lift should be sprayed with a light oil, such as WD-40 or similar lubricant, two to three times a year.
- Check all Cables are on all the proper Pulleys each time you use your Lift.
- Change the hydraulic fluid - good maintenance procedure makes it mandatory to keep hydraulic fluid clean. No hard fast rules can be established; - operating temperature, type of service, contamination levels, filtration, and chemical composition of fluid should be considered. If operating in dusty environment a shorter interval may be required.
- Grease the inside of the Columns, where the Carriages run up and down.

All repairs should only be performed by a PSE Authorized Lift Installer.

- Replacement of Hydraulic Hoses.
- Replacement of Cables and Sheaves.
- Replacement or rebuilding Hydraulic Cylinders.
- Replacement or rebuilding Power Unit Pumps / Motors.
- Checking Hydraulic Cylinder Rods and Rod Ends (threads) for deformation or damage.
- Checking Cylinder Mounting for looseness and / or damage.

Relocating or changing components may cause problems. Each component in the system must be compatible; an undersized or restricted line will cause a drop in pressure. All Valve, Pump, and Hose connections should be sealed and/or capped until just before use. Air Hoses can be used to clean Fittings and other components. However, the air supply must be filtered and dry to prevent contamination. Most important - cleanliness - contamination is the most frequent cause of malfunction or failure of Hydraulic Equipment.

TROUBLE	CAUSE	SOLUTION
Pump/ Motor does not start	Improper electrical hook up blown fuse Pump binding or stuck Motor thermal overload tripped Thermal overload in starter box Tripped	Rewire Replace Fuse Remove (flush) or replace Let Cool 30 sec. Push Button Reset Replace Switch Call Electrician
Pump/Motor operates but has no pressure.	Wrong rotation of motor	Rewire
Pump/Motor operate low flow and/or low pressure (in raise mode.) (in pressure mode)	Clogged inlet strainer (cracking noise) Relief Valve leaking dirt on seat Release Valve leaking Dirt on seat Release stem out of adjustment O-ring missing or cut Relief Valve setting too low	Clean strainer in solvent Flush seat or ball seat again Flush seat Re-adjust stem setting Replace O-ring Replace Motor
Pump/Motor operates but does not hold system	Fitting loose Check Valve leaking Dirt on seat Release stem out of adjustment O-ring missing or cut	Tighten or replace fitting Flush seat Re-adjust stem setting Replace O-ring Replace Motor
Failure to lower	Sticking Release Valves Stem, or out of adjustment	Replace Stem and/or Cartridge Re-adjust Stem setting
Air in oil	Loose inlet connection or low oil level Leaky or blown Oil Seals in Pump Siphon check does not seat	Tighten connection Add oil Replace oil seat Replace if necessary
Motor does not run when energized	Breaker thrown or Fuse blown Motor thermal overload tripped Thermal overload in Starter Box Tripped Check Micro Switch Faulty wiring, connections	Reset or replace Wait for overload to cool Push Button to reset Replace if necessary Call Electrician
Oil blows out the Breather / Filter Port	Oil overload Vehicle has been lowered to fast	Remove to 1/2 - 2/3 full Restrict lowering with Manually controlled release
Cylinder will not lift load	Seal damage to Piston Oil leaking from cylinder front	Call distributor for instructions
Oil requirements	Use AW 32 Hydraulic Oil Dexron III Automatic Transmission Fluid	Call distributor for instructions

LIMITED LIFT WARRANTY

**THIS LIMITED WARRANTY IS NOT TRANSFERABLE
FROM THE ORIGINAL RETAIL PURCHASER.**

No warranty exists until each piece of equipment is completely paid in full and the Lift Warranty Sheet has been returned to the manufacture or master distributor.

Power Units are covered for defects in workmanship for one (1) year. Any misuse of Power Unit will void this Warranty. For Power Unit Warranty repairs the original purchaser needs to provide the following information: (1) Date code of the Power Unit, (2) Serial Number of the Power Unit, and (3) Model Number. In cases of Power Unit replacements, you will be sent a replacement Power Unit after billing your charge card. It is the Original Purchaser's responsibility to properly drain and box the defective Unit, tag it, and call UPS to pick it up and have it shipped back to us. After receiving the Power Unit back to our facility, an inspection will be made to the Unit to insure it was defective from the Manufacturer. If it is the manufacture's defective Unit, we will credit your credit card back, less any shipping. Failure to follow these procedures will void the Power Unit warranty and any credit to your credit card.

Any wearable Lift part is not covered under warranty, such as Cables, Slide Blocks, Arms, Pullies, Pins, Adapters, Pads, Switches, Hoses, & Fittings **unless authorized by the manufacturer**, and which was not found to have been abused, will be repaired or replaced (at the Manufacturer's option). Defects caused by ordinary wear and tear, abuse, misuse, overloading, accident (including shipping damages), improper maintenance and alterations are not approved by the Manufacturer or Master Lift Distributor are specifically excluded.

The Manufacturer reserves the absolute right to decline responsibility for repair work made or attempted by any Company or Person not associated with, or approved beforehand, by the Manufacturer. This Lift must be installed by a PSE Authorized Installer. Not having this Lift installed by an Authorized Installer voids the Warranty.

**WARRANTY LABOR IS NOT INCLUDED UNDER
WARRANTY. UNLESS EXPRESSLY APPROVED BY
THE MANUFACTURER, IN WRITING, BEFORE THE
REPAIRS ARE ATTEMPTED.**

ATTENTION: MAIL TODAY TO ACTIVATE YOUR WARRANTY !

WARRANTY IS NON-TRANSFERABLE

Company Name: _____

Owner / Shop Manager: _____

Address: _____

Phone: () _____ Fax: () _____ Cell: () _____

City/State/Province/Zip: _____

E-mail: _____

PSE CJ10BP-A

Model No.:	PSE CJ10BP-A
Capacity:	10,000 lbs.
Serial No.:	
Date:	



Purchased From: _____ Purchase Date: _____

Address: _____

City: _____ State: _____ Zip: _____

Office Phone: () _____ Cell Phone: () _____

Pro-Series Equipment
P.O. Box 734
Franklin, IN

Pro-Series Equipment
P.O. Box 734
Franklin, Indiana
ATTN: Warranty Dept.

Place
Stamp
Here